



TOWNSTAR VAN





As forward thinking as your business

We know that for small business owners and entrepreneurs like you, profit isn't the only measure of success. Passion, pride and sustainability in everything you do is equally important. So isn't it time you got a van that gets you? Introducing the all-new Nissan Townstar – a compact van that's as forward-thinking as your business.



The difference is in the details

ALL IN A DAY'S WORK

Complete all of your daily tasks on a single charge. With a 45kWh battery, all-new Nissan Townstar EV* delivers a range of up to 300km* – more than enough to take you through to home time.

AN OFFICE ON WHEELS

We know that when you're a small business, you need to be "on the road" but never away from the office. All-new Nissan Townstar has you covered with its advanced connected cabin and innovative storage for files and paperwork.



LOWER YOUR COSTS

With an impressive range and efficient energy tariffs available, you will be equally impressed by the low running costs.



x2 Euro-pallets



EYES ALL ROUND

Move with confidence, even in tight spaces. Intelligent Around View Monitor gives you a 360° Birds Eye View** when manoeuvring at low speed, for stress-free parking and all-round confidence.

* Townstar EV will come Summer 2022. 300km is pending final homologation.

** Features available depending on version, as standard or only as option (at an extra charge).

Range figures are obtained from laboratory testing in accordance with EU legislation and are intended for comparison between the different types of vehicles. The information does not refer to a particular individual vehicle and does not constitute part of the offer. The figures may not reflect real driving results. Optional equipment, maintenance, driving behaviour and non-technical factors like weather conditions may affect the official results. Figures were determined under the new Worldwide harmonized Light Vehicles Test Procedure (WLTP) test cycle.



Design that fits right in

Bold Japanese design, robust lines and compact form; the all-new Nissan Townstar has the looks to stand out and the proportions to fit in. Making it perfect for tackling the car park or narrow city streets.



- A** LED headlamps and Daytime Running Lamps
- B** Petrol model front grill
- C** LED front fog lamps with cornering lamp technology*
- D** LED signature daytime tail lamps
- E** Machine-finished alloy wheel*

**Features available depending on version, as standard or only as option (at an extra charge).*

More efficient and future-ready

All-new Nissan Townstar offers a choice of fully electric motor* or Euro6D compliant petrol engine with Eco mode and a 6-speed manual transmission for a smooth driving and optimum efficiency.



HR13 EURO6DFULL

Efficient Euro6 compliant petrol engine, 130PS, 6 speed manual transmission**

Zero Emission

ALL ELECTRIC MOTOR

45kWh battery, 122PS, 245Nm motor up to 300km* WLTP mixed cycle range

* Townstar EV will come Summer 2022. 300km is pending final homologation.

** From 6.4 to 7.5l/100km (VL - VH), CO₂: from 145 to 171g/km (VL - VH).

Range figures are obtained from laboratory testing in accordance with EU legislation and are intended for comparison between the different types of vehicles. The information does not refer to a particular individual vehicle and does not constitute part of the offer. The figures may not reflect real driving results. Optional equipment, maintenance, driving behaviour and non-technical factors like weather conditions may affect the official results. Figures were determined under the new Worldwide harmonized Light Vehicles Test Procedure (WLTP) test cycle.





Sophisticated design. Seamless practicality

Discover a quality interior, with high-grade finishes, ergonomically designed steering wheel and a fully digital meter display*. For a clutter-free and connected cabin, all-new Nissan Townstar features wireless smartphone charging* and up to 3 USB ports*.



Air conditioning bi-zone*



Wireless Charger*

**Features available depending on version, as standard or only as option (at an extra charge).*



Everything in its right place

Ergonomic multi-functional and highly practical. all-new Nissan Townstar's cabin offers plenty of innovative storage, and the option of three seats in the front - with the middle one folding conveniently away when not needed to create a useful office table.



Smartphone holder*

King size cup holders

Practical glove box drawer*
(over 7 litres of storage capacity)

Front door storage

A4 Storage

Driver's storage area with USB socket

**Features available depending on version, as standard or only as option (at an extra charge).*

Intelligent, intuitive, connected

When inside your vehicle, connect your phone* to start using your preferred apps thanks to Apple CarPlay® and Android Auto™.



NAVIGATION

Find your way effortlessly with advanced navigation, featuring: 3D view, speed limit guidance, junction view, real-time traffic information and continued navigation even without a GPS signal, thanks to the system's internal gyroscope.



UP TO 3 USB CHARGING POINTS*

Keep your devices connected and ready to go at all times, up to 3 charging points in the cabin for convenience and practicality.



E-CALL

In case of any emergency, E-call can be set to automatically or manually at the touch of a button, make a call to your local emergency services. The system is triggered if a collision is detected by your vehicle's sensors.



APPLE CARPLAY®⁽¹⁾ & ANDROID AUTO™⁽¹⁾

Connect your smartphone to access your music, text messages and other favourite apps while you are driving.

Free service⁽²⁾

For optimal use, we recommend to use the genuine manufacturer cable.



⁽¹⁾ Apple Carplay and Android Auto™ are only available with versions with screen

⁽²⁾ Apple CarPlay® and Android Auto™ are available free of charge, depending on model and/or grade. For more information, please contact your Nissan dealer or [phone number/e-mail address].

*Features available depending on version, as standard or only as option (at an extra charge).



Looking out for you

With Nissan ProPILOT*, you're never on your own. It's always working in the background when activated, keeping an eye on the road. You just drive the way you always drive, but reassured in knowing that all-new Nissan Townstar is ready to help with braking, steering or accelerating to keep you safe, on track and in control when it counts.



INTELLIGENT CRUISE CONTROL**
It measures the distance from the vehicle ahead, controlling acceleration and deceleration to automatically maintain a suitable following distance within your set speed.



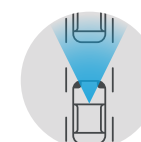
LANE KEEP ASSIST AND LANE DEPARTURE WARNING**
These provide assistance to help centre the position of your car in the lane and warning when your car is departing from the lane without turning signal on.



INTELLIGENT FORWARD COLLISION WARNING**
Keeps an eye on the vehicle in front of you. When the system detects a sudden deceleration ahead, it gives you an audible and visual warning to slow down.



BLIND SPOT WARNING & INTERVENTION**
Technology that keeps a look out for vehicles in your blind spot area, and gives you a nudge back into lane if you start to move over.



INTELLIGENT EMERGENCY BRAKING**
Monitors the surrounding area in front of the car for vehicles and pedestrians, helping to avoid or reduce damage caused by collisions.



TRAFFIC SIGN RECOGNITION**
Keeps the driver informed of speed limit changes and other important road information by detecting speed limit and warning signs as you drive.

**ProPILOT is available on a limited range of vehicles and only on Automatic Transmissions. ProPILOT is an Advanced Driver Assist technology but cannot prevent collisions. ProPILOT is intended for "Eyes on/ Hands On" for highways only (road separated by Barriers). It is the driver's responsibility to stay alert, drive safely, apply speed limits and safe speed based on road conditions and remain in control of the vehicle at any time.*

*** Features available depending on version, as standard or only as option (at an extra charge).*

Technology that's got your back

Park with confidence. All-new Nissan Townstar's Intelligent Around View Monitor* gives you a 360° view of your vehicle, with selectable focus on front, kerbside or rear views. The four cameras work in conjunction with the parking sensors to give you both audible and visual guidance for peace-of-mind in those tighter spaces.

Rear camera.
See what's right
behind you.

Right side camera.
Flick the switch
to see the kerb.

All-around view.
Get a virtual 360°
birds' eye view as you
manoeuvre.

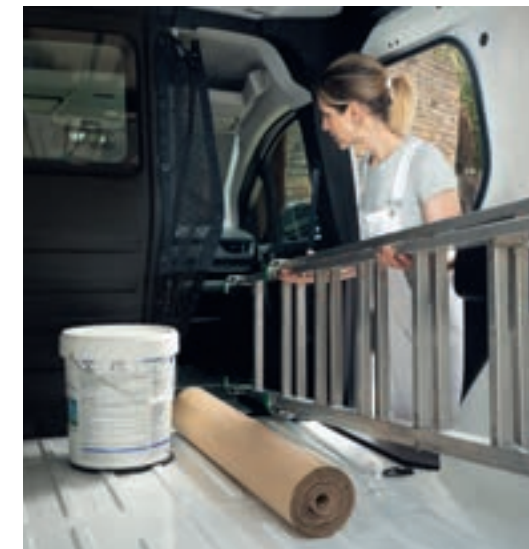
Front camera.
Get a combined front
and overhead view
for perfect parking.





Open to all possibilities

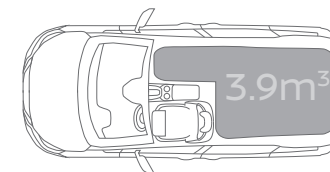
The all-new Nissan Townstar offers a generous 3.3m³ of load space. But for those extra large orders it can be increased to 3.9m³ by moving across the swivelling bulkhead* and folding down the front passenger seat*. With the same innovative approach in the front, Townstar's cabin delivers ample storage for working files and important items.



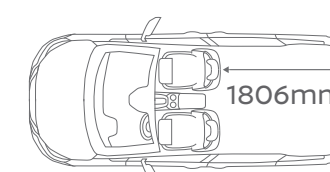
Sliding door and swivelling bulkhead*



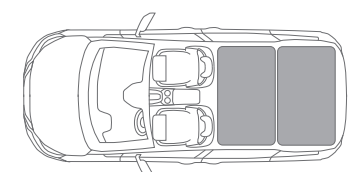
Foldaway passenger seat



Loading volume: 3.9m³



Loading length: 1806mm

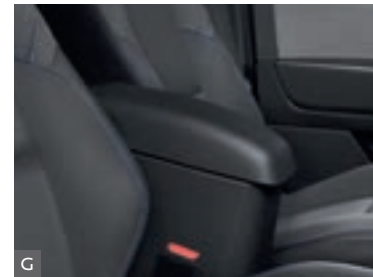


x2 Euro-pallets

*Features available depending on version, as standard or only as option (at an extra charge).

Take care of the details

Every business has its own specific requirements and needs. With Genuine Nissan Accessories you can customise the all-new Nissan Townstar to match your needs and extend its possibilities.



TRANSPORT

- A: Roof Rack
- B: Towbar Fixed

EV CHARGING*

- C: Home AC Charger

DESIGN

- D: Chromed Mirror Caps and Door Handles
- E: Alloy Wheel

COMFORT AND PROTECTION

- F: Ply Lining
- G: Armrest
- H: Velour Floor Mats
- I: Rubber Floor Mats

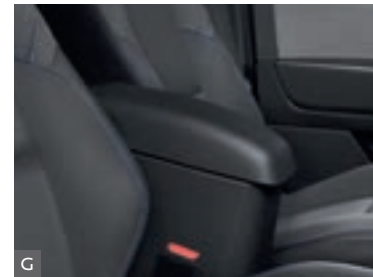
SECURITY

- J: Rear view camera
- K: Alarm

**EV version available Summer 2022.*

Take care of the details

Every business has its own specific requirements and needs. With Genuine Nissan Accessories you can customise the all-new Nissan Townstar to match your needs and extend its possibilities.



TRANSPORT

- A: Roof Rack
- B: Towbar Fixed

EV CHARGING*

- C: Home AC Charger

DESIGN

- D: Chromed Mirror Caps and Door Handles
- E: Alloy Wheel

COMFORT AND PROTECTION

- F: Ply Lining
- G: Armrest
- H: Velour Floor Mats
- I: Rubber Floor Mats

SECURITY

- J: Rear view camera
- K: Alarm

**EV version available Summer 2022.*

COLOUR PALETTE

7 BODY COLOURS

M: Metallic - S: Solid



Mineral White - S
QNG



Highland Grey - M
KQA



Urban Grey - S
KPW



Casiopee Grey - M
KNG



Black Metal - M
GND



Red Magma - S
719



Carmin Red - M
NPF

WHEELS



15"
MEDIUM COVER



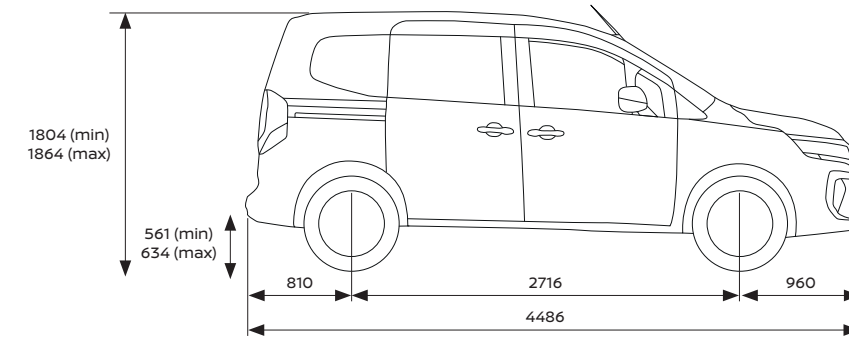
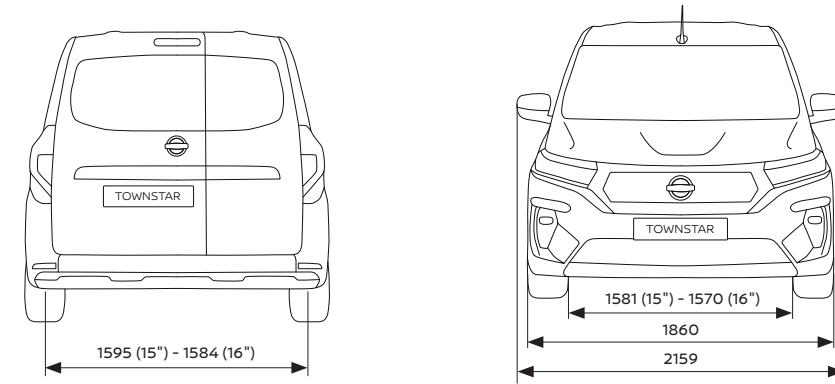
16" FULL COVER



16" ALLOY
DIAMOND CUT

DIMENSIONS

All dimensions are in mm



TRIMS



Cloth D



Cloth C

Some features are only available on certain grades.

Standard features per grade

VISIA

WHEELS

15" Steel wheels + Summer Tires 15"
15" Hub Caps
Repair Kit (inflate kit)

EXTERIOR

Electric and de-icing side mirrors
1 Panel Sliding door
Rear Paneled French Doors - 60% / 40%
3-Buttons Key

EV SPECS*

Cable Mode 2 - compatible with standard 6/10A sockets
Standard (11 kW AC)

CONNECTIVITY

Radio 1 Din (with DAB)
1 USB (Charge + data) available on Radio
Radio & Multimedia under Steering wheel command

INTERIOR/COMFORT

Cabin Plastic Floor
Open glovebox
4,2" Combimeter
Driver & Passenger Power Windows
12V Socket in cargo Area
Small Central Console
Fixed Bulkhead

SAFETY

Auto Light & Wiping System

ACENTA (VISIA +)

WHEELS

16" Steel wheels black + Summer Tires 16"
16" Full cover

EV SPECS*

Accelerate 22kW AC
Mode 3 cable (T2 - T2)

INTERIOR/COMFORT

Manual Air conditioning - ICE only
Plastic Floor in Cargo Area
Automatic Air conditioning (monozone) - EV only*

SAFETY

Auto Light & Wiping System
Speed Limiter / Cruise control with speed regulation
Rear Parking Sensors

N-CONNECTA (ACENTA +)

EXTERIOR

Side mirrors, aspherical both side with Electric command (tuning, automatically retractable + de-icing)
LED Front Fog lamps with Cornering Lamp Technology
I-Key

CONNECTIVITY

Access DA Display Audio (A-IVI) - screen 8"

INTERIOR/COMFORT

Driver Front Door Power Windows with One-touch up lift
Comfort Driver seat with height and lombard adjustment
Comfort Passenger seat with height adjustment
Upper grade steering wheel
Smartphone Dock
Practical Drawer with Light - only available for LHD
Big Central Console
Electric Parking Brake

SAFETY

Blind Spot Warning
Unstable Trajectory Alert
Front & Rear Parking Sensors with Flank protection
Rear View Camera
Automatic Emergency Braking System City/Pedestrian/Cyclist/
Night
Seatbelt pre-tensioners

TEKNA (N-CONNECTA +)

EV SPECS*

10" TFT digital driver's display
Active Cruise Control Stop & Go

CONNECTIVITY

Navigation System
ProPILOT - EV only*
2 USB (Charge, data available only w/ Core Nav) available on upper Dashboard

INTERIOR/COMFORT

Design Manual transmission gearshift knob
Leather steering wheel
Driver & Passenger heating seats
Smartphone induction charging
Automatic Air conditioning (bi-zones) - ICE only

SAFETY

AHL (Auto High Beam)
Intelligent Around View Monitor
OSP - Over speed Prevention : speed limitation permanent display in the dashboard incl. Additional alerts from Navigation
+Speed Limiter adjustment proposal

NISSAN LCV 5 YEAR MANUFACTURER WARRANTY

NISSAN now offers a standard 5 Year Pan-European Manufacturer Warranty on its whole LCV range*. This is much more than just a warranty as it includes:



- 5 Year or 160,000 Km bumper-to-bumper protection
- 5 Year Paintwork Warranty – covering the body paint
- 5 Year NISSAN Genuine Parts & Accessories Warranty
- 5 Year Roadside Assistance
- 12 Year Corrosion Warranty on all-New Nissan Townstar
- Fully transferable

And with service intervals at 2 years or 30,000kms (whichever is sooner) you'll not only have 5 years of peace of mind but also low running costs into the bargain.



AT NISSAN, YOU BRING OUT THE BEST IN US.

You spark our imagination. You provoke our ingenuity. You inspire us to change the rules and innovate. And at Nissan, innovation is not just about additions and extensions; it's about crossing the line to reinvent the status quo. It's about developing unexpected solutions to satisfy your wildest and most pragmatic desires. At Nissan, we design vehicles, accessories and services that break the mould - making the practical exciting and the exciting practical to offer you a more exhilarating driving experience everyday.

*5 Year / 160,000 km (whatever comes first) Manufacturer Warranty for the LCV range
Unlimited mileage for Paintwork, Nissan Genuine Parts & Accessories, Roadside Assistance & Corrosion Warranties.
For more details, please refer to Nissan Warranty Booklet.

CUSTOMER SERVICES



SPECIALISED LCV NETWORK

NISSAN provides a specialised network of LCV dealerships to support your specific commercial vehicle requirements:

- Pan-European coverage
- Dedicated LCV Sales & After Sales staff
- Competitive financing solutions
- Tailor made conversion offers
- Competitive extended warranty offers to go even beyond NISSAN LCV 5 Year Warranty.
- Test drive your choice



AFTERSALES SERVICES

If your car breaks down, it's inconvenient. If your van breaks down, it's a serious blow to your business. Even time allowed for servicing is downtime, when your van isn't earning its keep. At Nissan, we understand these hard business facts. So we do the best to ensure that your van stays where it belongs - working for you, on the road.



NISSAN SERVICE CONTRACTS AND EXTENDED WARRANTY

For total peace of mind and budget control, you can subscribe to a Nissan Service Contract which will cover your periodic maintenance and Wear & Tear parts for the mileage and period that suits your business best. This way, you can ensure that your all-New Nissan Townstar is serviced by dedicated Nissan technicians. And for even more serenity, you can get an Extended Warranty to cover possible mechanical and electrical breakdown after the end of your all-New Nissan Townstar warranty.



5 YEAR ROADSIDE ASSISTANCE

- Pan-European coverage for breakdowns, accidents, non-warrantable incidents (such as flat tyres, lost keys, wrong fuel...)
- 24/7, 365 days
- Emergency Call Centre
- Prompt roadside assistance

If this is not possible and your vehicle is still immobilised after a few hours, we will make sure you are provided with a courtesy vehicle as soon as possible or if necessary, overnight accommodation and travel to your onward destination or back to your base. We will also recover your immobilised vehicle.



Nissan Intelligent Mobility moves you one step ahead. In vehicles that feel like an extension of you, helping you see more and sense more, reacting with you, and sometimes even for you. Nissan Intelligent Mobility is about a better future – moving us to a world that’s safer, more sustainable, and exciting.

Deep dive in All-New Nissan Townstar experience: www.nissan-europe.com/Townstar

Follow Nissan Townstar on Facebook, Twitter and Youtube.

Every effort has been made to ensure that the content of this publication is correct at the time of going to press (November 2021). This brochure has been produced featuring prototype vehicles exhibited at motor shows. In accordance with the company's policy of continuously improving its products, Nissan Europe reserves the right to change at any time the specification and the vehicles described and shown in this publication. Nissan dealers will be informed of any such modifications as quickly as possible. Please check with your local Nissan dealer to receive the most up-to-date information. Because of the limitations of the printing processes used, the colours shown in this brochure may differ slightly from the actual colours of the paint and interior trim materials used.

All rights reserved. Reproduction in whole or part of this brochure without the written permission of Nissan Europe is forbidden. This brochure is made from chlorine free paper – MY21 Townstar brochure 11/2021 – Printed in EU. Created by DESIGNORY, France and produced by eg+ worldwide, France – Tel.: +33 1 49 09 25 35.

